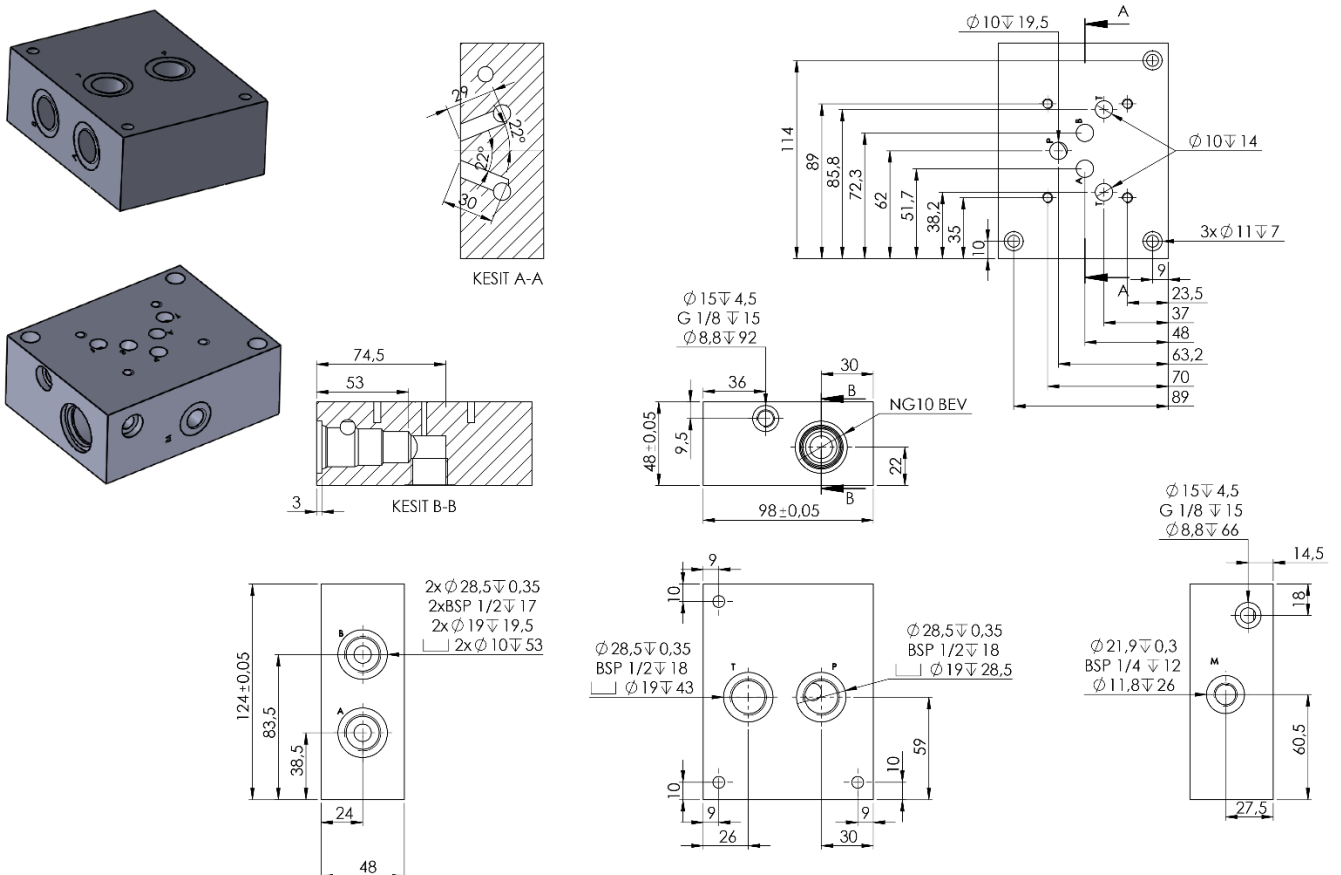


DATASHEET - DIMENSIONS

14747 - CETOP BASE PLATE NG10-1-RV



Technical information

Type:	NG10-1-RV
Material:	Aluminum
Pressure:	max. 250 bar
Flow:	max. 80 l/min